

# DF100 Shrink Sleeve Applicator



## Features

- Fully enclosed and interlocked guarding as standard.
- HMI interface with facility to save separate jobs password protected.
- Can be fully customised to meet exact customer requirements.
- Fully inter-changeable change parts and assemblies
- Optional larger, front or rear column mounted reel holders for ease of reel change
- Flexibility of sleeve length and apply position
- Easy to install, set up, and maintain
- Can be converted to apply low speed full body application.

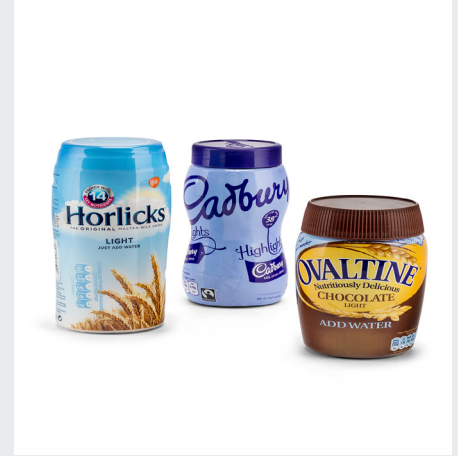
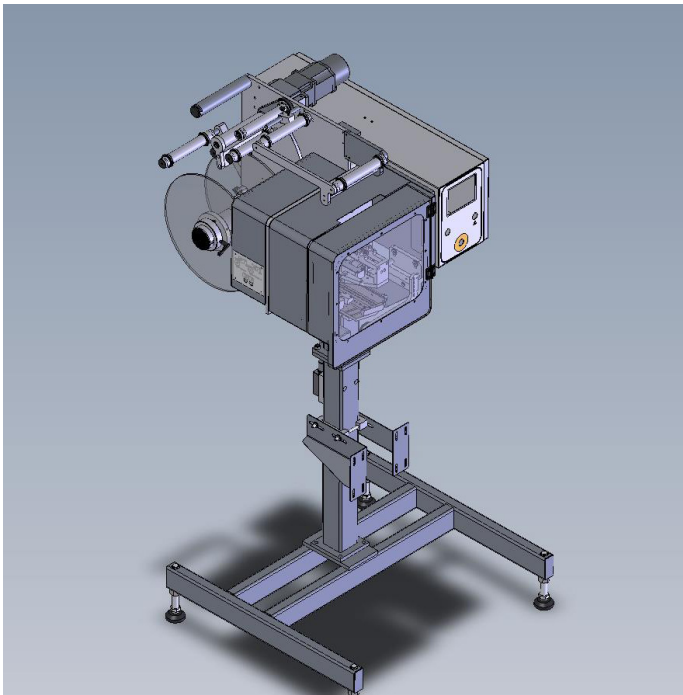
# Graham & Sleeveit - Shrink Sleeve Applicator

The DF Series shrink sleeve label applicators combine innovation with functionality to create a unique easy to operate efficient machine. Capable of sleeving products from 20 mm up to 104 mm diameter at sleeve lengths from 20 mm up to 50 mm at speeds reaching 300 products per minute.

The DF applicators are suitable for a range of applications; from unprinted tamper evident sleeves at moderate speeds, up to high speed lines of printed sleeves including a power unwind and print registration options. Between these extremes, machines may be easily customized to suit the exact requirements of a project using standard, compatible modules.

Exceptional Graham & Sleeveit technology has incorporated state of the art designs servo driven HMI and PLC controlled logic, used on our range of Tamper Evident Applicators adapted to feed, cut and apply full body sleeve labels. There are minimal change parts and operation is very simple.

The DF Series applicators can be supplied as a stand-alone applicator or, combined with our comprehensive range of Graham & Sleeveit product handling and heat tunnel systems to provide a complete sleeving system that integrates with other parts of the line. New electronics enable the collection of current and historical production and maintenance data and interface with up and down stream processes.



Conveyor Height min/max:	900 mm/1000 mm [35.43 inch/39.37 inch]
Container Diameter min/max:	20 mm - 100 mm [.79 in - 3.94 in]
Sleeve Length min/max:	25 mm - 50 mm [.98 inch - 1.97 inch]
Maximum Speed:	Up to 100 products per minute
Material Type	PVC, PET/PETG, OPS, PLA
Material Thickness	40 - 70 microns
Air	80 PSI, 5 bar/0.2 cuM/min
Electrical:	220 VAC, 1-Phase, 6 Amp 240 VAC, 1-Phase, 6 Amp
Maximum Unwind Diameter:	600 mm [23.62 in]
Unwind Core Diameter:	254 mm [10 in]

*\* All specification and tooling requirements are subject to Accraply evaluation of all label and product samples. Specifications shown reflect standard machine capabilities. Accraply can also meet other specification requirements. Please call for details.*

Accraply | Trine | Stanford | Graham & Sleeveit | Harland